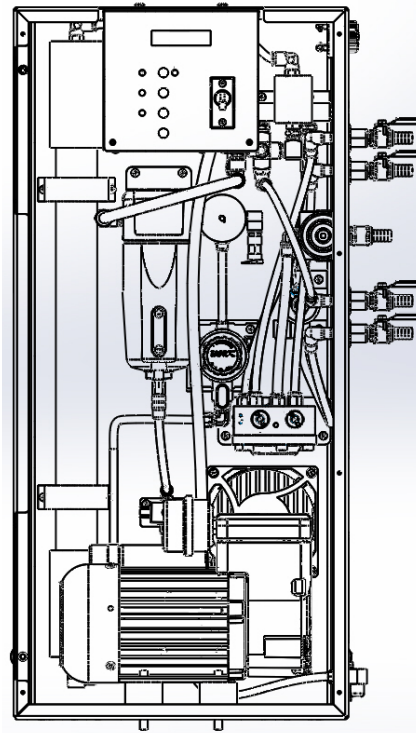
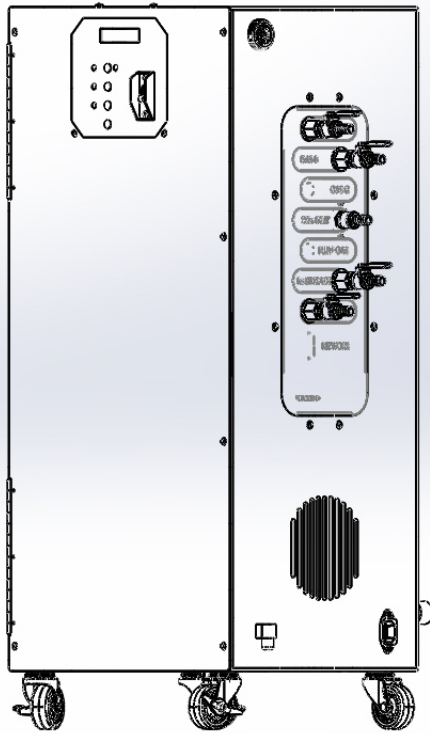


NITROGENATOR EZ-2 DATA SHEET



Electrical	115V/60Hz/1PH
Power Consumption	5.8 amps
Dimensions	14.14" W x 30.06" H x 11" D
Weight	75lbs
Mounting Options	Wall & Floor (must use leg/caster set if placed on floor)
Output	5.8 SCFH
Gas Purity	99.7% minimum
Air Clearance	1" on back, bottom & right side
CO2 Inlet Pressure	70-150 (min-max) PSIG
Mixed Gas Outlet Pressure	60-65 PSIG
N2 Storage Tank	28 gallons
Ambient Temperature	40 - 95° F
Noise Level	59 db (A)
Outlet Connections	3/8" OD Barbs
Duty-Cycle	100% continuous for up to 12 hours*

*All internal components designed for continuous, 100% duty-cycle. 12-hour run timer designed specifically to indicate user of any potential gas leaks downstream via audio-visual alarm.